

Sterling's V-BELT DRIVE BLOWERS

Ultra High Efficiency...Built to Last

Quality Design

- Housing and base feature all-welded, heavy gauge steel construction with hand finished interior to prevent material build-up and contamination.
- TEFC dual wound motor with shaft seal standard on all models.
- All drive components and safety guards are included with assembly.
- Housing, impeller, or motor easily replaced if worn or damaged.

Durable

- Unique design features make blower ideal for rugged material handling applications.
- Also available in our Diamond Line Series...THE answer to abrasive material applications such as hard plastics, glass-filled materials, rubber, etc.

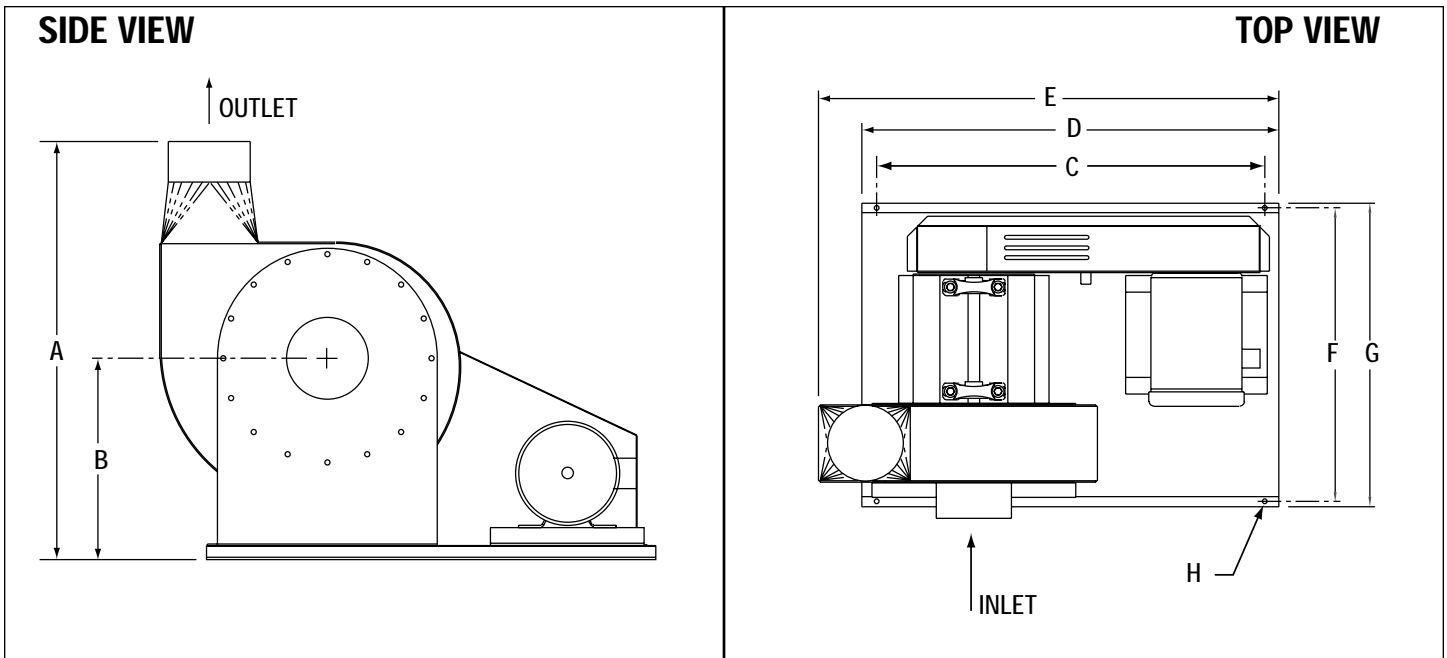
Versatile

- Blowers are custom-designed to meet the customer's application.
- Sixteen different discharge positions available for all models.
- Optional stainless steel construction available for all models.
- Sound enclosures and silencers are available to quiet the operation of the unit.
- Components for sizes 4-8 are stocked, offering the quickest available delivery in the industry.
- V-Belt Drive blowers offer a range of CFM capabilities through a simple sheave/bushing change.
- Universally recognized components—motors, belts, bearing, sheaves and bushings—are used for fast and economical replacement.



STERLING **SYSTEMS**
A Division of Sterling Blower Company

Sterling
Blower Company

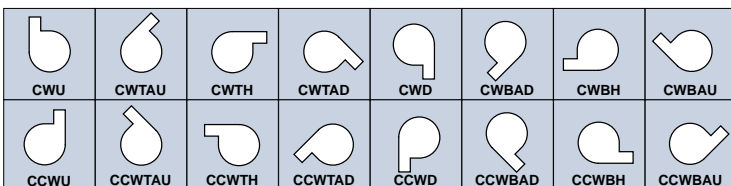


Standard inlet and outlet diameters are supplied unless otherwise specified. • All dimensions are in inches. • Dimensions are approximate; consult factory for certified drawings.

STANDARD DIMENSIONS

BLOWER SIZE	A	B	C	D	E	F	G	H	WHEEL DIAMETER	STANDARD HPs
#4 4001FV 4002FV	24 1/4	10 1/2	23	26	28 1/4	22 1/4	23 1/4	9/16	9 1/2	1,2
#5 5003FV 5005FV	28 1/4	13 1/2	33	36	38 1/4	25	26	9/16	11 7/8	3,5
#6 6005FV 6075FV	32 1/4	16	33	36	39 1/4	27	28	9/16	14 1/4	5,7 1/2
#7 7075FV 7010FV	35 1/2	17 3/4	38 3/4	41 3/4	45 1/4	30	31	9/16	16 5/8	7 1/2, 10
#8 8010FV 8015FV 8020FV	40 3/4	19 3/4	41	44	48 3/4	31	32	9/16	19	10,15,20
#9 9010FV 9015FV 9020FV	40 3/4	19 3/4	41	44	48 1/4	31	32	9/16	19	10,15,20
#11 1120FV 1125FV	47	21 3/4	31	47	53	35 1/2	36 1/2	9/16	22	20,25
#13 1325FV	53 1/4	25 3/4	44 1/2	47 1/2	58 1/4	39	40	9/16	26	25
#15 1525FV 1530FV	59	29 1/4	54 1/4	57 1/4	64 1/2	49 1/2	50 1/2	9/16	30	25,30

Standard Discharge Positions (view from drive side)



135 Vista Centre Dr.
Forest, VA 24551-3964
(434) 316-5310 • Fax: (434) 316-5910

www.sterlingblower.com
sterling@sterlingblower.com