

Sterling's

AL-4

BLOWERS



Unique Seamless Design Provides Trouble-free Operation

Quality Design

- Ideal for use in granulator evacuation and compact pneumatic material handling applications.
- Seamless housing eliminates the messy and hazardous dust, contamination, and leakage problems common to other cast aluminum blowers.
- TEFC ³/₄ or 1 hp dual wound motor standard on all models.
- Impeller or motor easily replaced if worn or damaged.

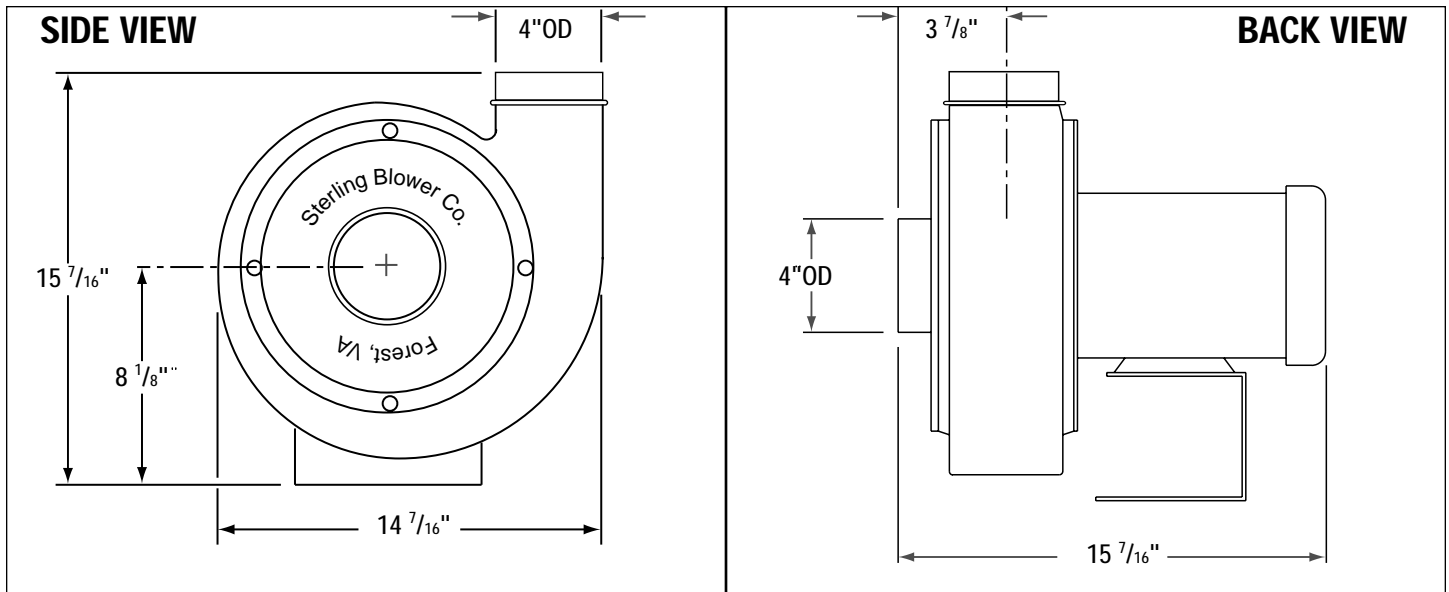
Versatile

- Blower can easily be converted to a hinge mounted design and attached directly to a machine base, making it a space-saving, integral part of the machine.
- Seamless design eliminates "out-of-round" outlets, making it easy to connect hose, piping, or reducers.
- Blowers are custom-designed to meet the customer's application.
- Design allows unlimited choice of discharge positions.
- Easy access to the blower's interior simplifies maintenance and clean-up tasks.
- All components are stocked, offering the quickest available delivery in the industry.



STERLING SYSTEMS

A Division of Sterling Blower Company



Standard inlet and outlet diameters are supplied unless otherwise specified. • All dimensions are in inches. • Dimensions are approximate; consult factory for certified drawings.

Construction: Cast aluminum housing and impeller

Motor: Directly connected 3/4 or 1 hp TEFC dual wound (230/460 Volt).

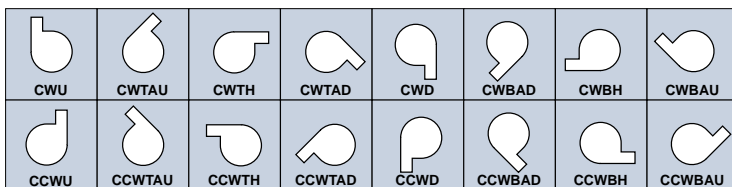
Weight: with standard base — 40 lb.
hinged design — 50 lb.

Fan Rating: Up to 400 lb/hr. Maximum conveying distance of 50 ft using 4" OD inlet and outlet.

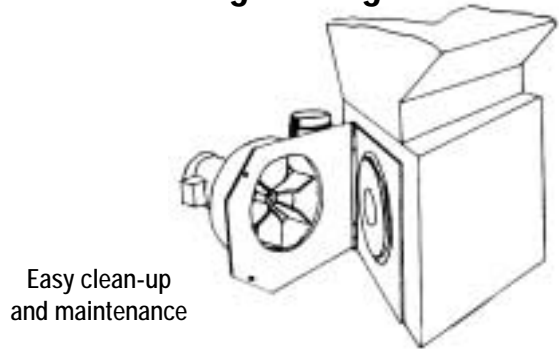
Multirating Chart @ 3450 RPM

in. H ₂ O	1.0"	1.5"	2.0"	2.5"	3.0"	3.5"	4.0"	4.5"	5.0"	5.5"	6.0"
CFM	599	589	544	500	476	452	412	398	382	373	324

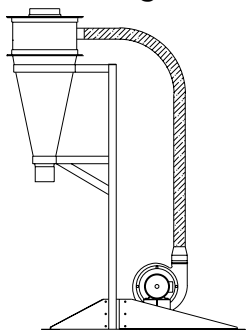
Standard Discharge Positions (view from drive side)



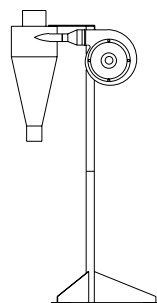
Hinged Design



AL-4 Blower/Cyclone systems granulator evacuation



AL-4 / #4
blower/cyclone combo



AL-4 / SK-163
blower/cyclone combo



STERLING SYSTEMS
A Division of Sterling Blower Company

135 Vista Centre Dr.
Forest, VA 24551-3964
(434) 316-5310 • Fax: (434) 316-5910

www.sterlingblower.com
sterling@sterlingblower.com